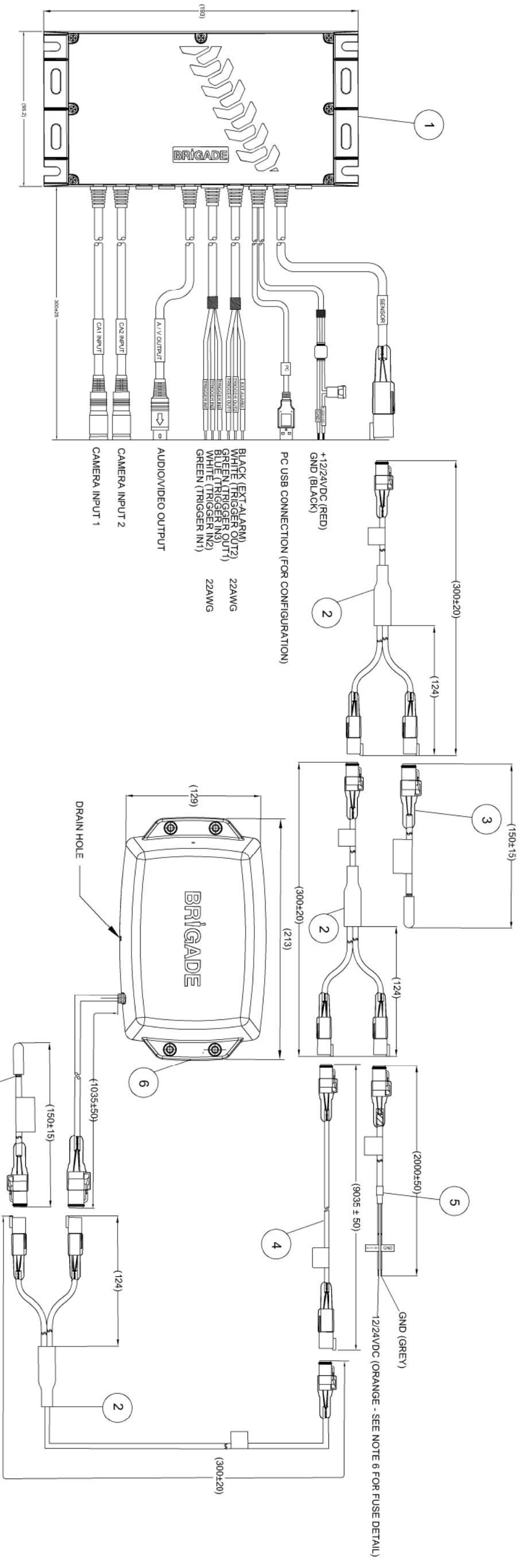


Revision Notes			
APA:	Drawn:-	Checked:	Approved:-
			Date:



ITEM	PART NO	QTY	MODEL/DESCRIPTION
①	5654	1	BS-OSD-022/BACKSENSE OSD FOR BS-9000, 2 SENSORS, 2 CAMERAS, 8 POSITION, 12/24V
②	5270	3	BS-00NYC/NETWORK Y-CABLE
③	5291	2	BS-00NT/CANBUS TERMINATOR
④	4551	1	BS-09DCX/9M EXTENSION CABLE
⑤	5271	1	BS-02PIC/2M POWER CABLE
⑥	5266	1	BS-9000/BACKSENSE BS-9000 RADAR SENSOR, 0.30M RANGE
⑦	5657	1	BS-OSD-OS/BACKSENSE OSD SW LINK CARD (NOT SHOWN)

NOTES:

1. RADAR, POWER CABLE AND BS-OSD-022 TO BE CONNECTED TO THE SAME POWER SOURCE.
2. ANY CUSTOMER MODIFICATION OF THIS PRODUCT CAUSING SUBSEQUENT FAILURE IS NOT A LIABILITY OF BRIGADE ELECTRONICS GROUP PLC.
3. REFER TO COMPONENT DRAWINGS FOR COMPONENT DETAIL.
4. REFER TO PRODUCT MANUAL FOR OPERATION, CONFIGURATION AND INSTRUCTION DETAIL. MANUAL AVAILABLE TO DOWNLOAD FROM BRIGADE WEBSITE.
5. REFER TO MASTER BOM FOR PACKAGING AND LABEL DETAIL.
6. INSTALLER MUST ADD A 1A FUSE TO BS-02PIC.
7. BS-OSD-22 CONFIGURATION TOOL SW IS NOT SUPPLIED WITH PRODUCT BUT IS DOWNLOADABLE FROM BRIGADE WEBSITE.

PROPRIETARY NOTICE

THIS DESIGN AND TECHNICAL INFORMATION APPEARING ON THIS DRAWING IS THE PROPERTY OF BRIGADE ELECTRONICS, AND IS DISCLOSED IN CONFIDENCE. IT IS NOT TO BE COPIED, REPRODUCED, REVEALED TO OR EXPROPRIATED BY OTHERS, EITHER IN WHOLE OR IN PART WITHOUT THE EXPRESS WRITTEN CONSENT OF BRIGADE ELECTRONICS.

BRIGADE
www.brigade-electronics.com

Assembly Pl Approval N.BUTTERFIELD		Approved by B.CHILDS		Checked by L.PILLAY		Drawn by C.WALKER	
Angle of Projection Third Angle		Units mm	Scale N/A	Released 03/04/19	Assembly Ref BS-9001-OSD		
Status RELEASED		Part No 5658		BE-003975-00-19			