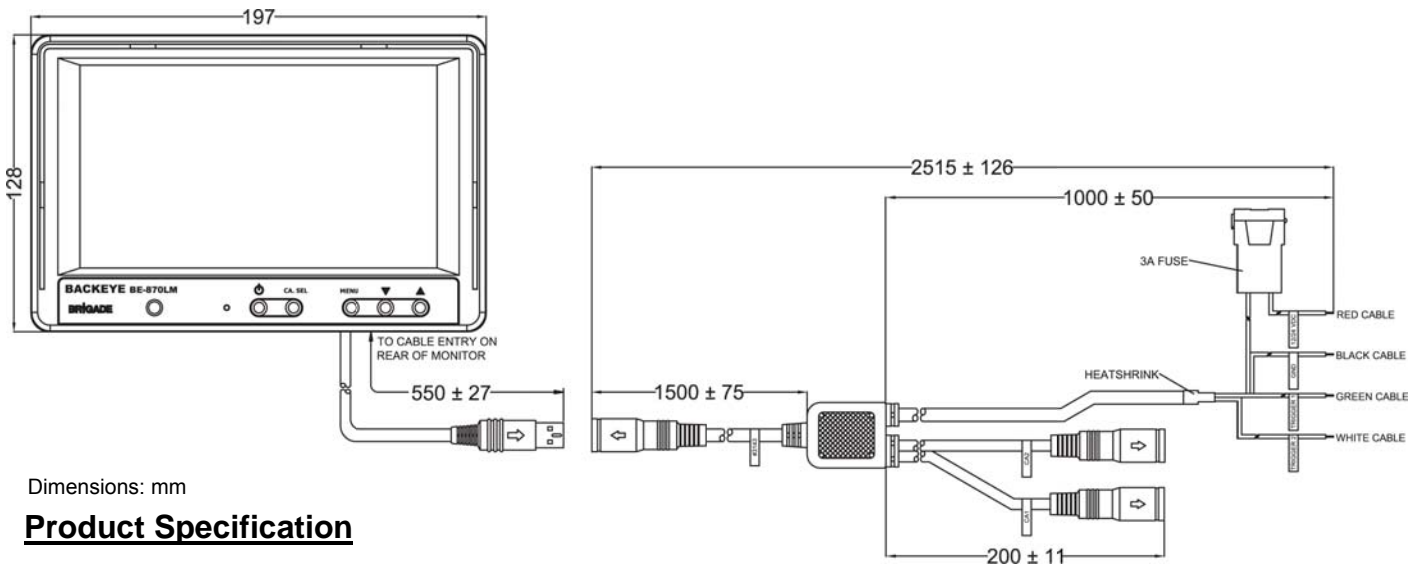


Product Specification

Brigade Model Number: BE-870LM

Brigade Stock Code: #2705



Dimensions: mm

Product Specification

Environmental Specifications:

- Shock Rating: 100 G
- Vibration Rating: 10 G
- Monitor IP Rating: N/A
- Connector IP Rating: N/A
- Operating Temperature: -40° to +70°C
- Storage Temperature: -40° to +85°C

Approved Standards:

- CE
- FCC
- 2006/28/EC
- ISO 13766: 2006
- RoHS
- WEEE

Technical Specifications:

- Operating Voltage: 10v~32 Vdc
- Current Consumption: ≤0.28 A @ 30 Vdc
- Power Consumption: Max 8.4 Watts @ 30 Vdc
- TV System: PAL or NTSC
- Panel Size: 7.0"
- Resolution: 480(H) x (RGB) x 234 (W)
- Contrast Ratio: 250:1
- Brightness: 450 cd/m²
- Viewing Angle: 30°(T), 60°(B), 60°(L), 60°(R)
- Number of Video Inputs: 2 Camera
- Number of Triggers In: 2
- Number of Triggers Out: None
- Shutter Function on Channels: None
- Tilt Function on Channels: None

Technical Specifications Continued...

- Mirror/Normal: All channels
- Cable Thickness: Power Cables: 18 AWG
Trigger Cables: 22 AWG
- Speaker: 8Ω @ 0.1 Watts
- Weight: 500 Grams
- Video Input: 1.0 Vp-p / 75Ω
- Length of Cables: Monitor Pigtail: 550mm
Cable Adapter Length: 2515mm
- Overall Dimensions: 197 mm (W) x 28 mm (D) x 128mm (H)
- Casing Material: ABS XR401
- Colour: Dark Grey Spray

Features:

- Display formats: Single (16:9 or 4:3)
- Auto Brightness Sensor
- Low Reflection TFT LCD (Anti Glare)
- Tamperproof Operation Function

Package Contents:

- 1x Monitor
- 1x Installation Guide
- 1x Bracket
- 1x Sunshield
- 1x Cable Adapter
- 4x Screws