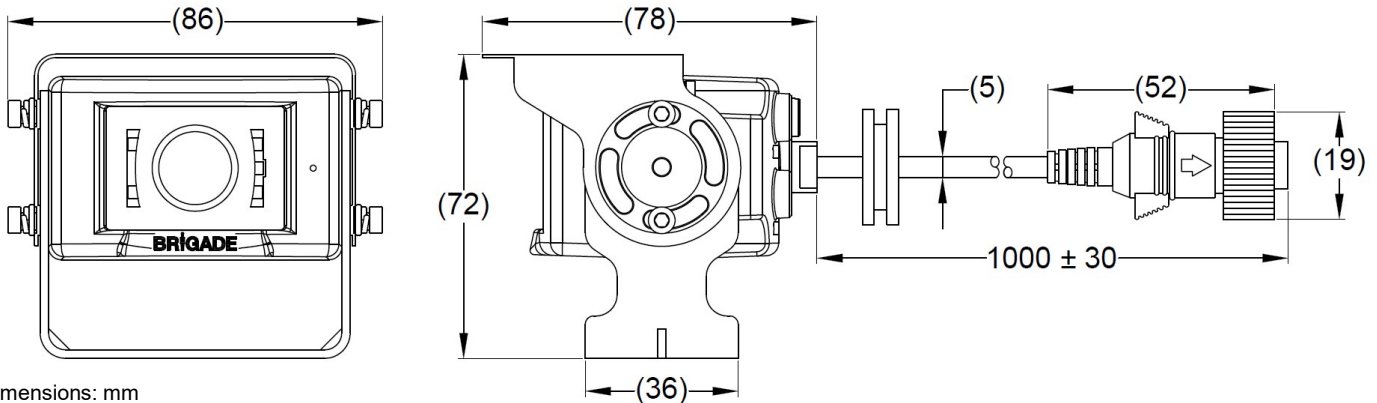


Product Specification

Brigade Model Number:
Part Number:

BE-8100C
6408

BE-8101C
6410



Dimensions: mm

Environmental Specifications:

- Shock Rating: 51 G (All 3 Axis - 6 directions)
- Vibration Rating: 8.5 G (All 3 Axis - 32hrs each)
- Camera IP Rating: IP69K, IP68
- Connector IP Rating: IP69K, IP68
- Operating Temperature: -40° to +85°C
- Storage Temperature: -40° to +85°C

Approved Standards:

- E-Mark - (UNECE Reg. 10 Rev. 05)
- CE - (EN61000-6-2:2019 / EN61000-6-3:2021)
- UKCA - (EN61000-6-2:2019 / EN61000-6-3:2021)
- FCC - (47 CFR Part 15 Subpart B)
- Industry Canada - (ICES-003:2016, Issue 6)
- EMC for Earth Moving and Con. Machinery - (ISO 13766:2018)
- Elements of ISO 16750
- Ingress Protection - (ISO 20653:2013)
- Salt Spray Corrosion
- WEEE
- RoHS

Technical Specifications:

- Operating Voltage: 12Vdc ± 2Vdc
- Power Consumption: ≤4.2W (at 12Vdc)
- Current Consumption: ≤350mA
- Video Output: Approx. 1.1 Vp-p / 75Ω
- Imaging Device: CMOS
- Picture Elements: 1928(H) x 1088(V)
- TV System: BE-8100C - AHD 2.0 25fps
BE-8101C - AHD 2.0 30fps
- Visual Resolution: 800 TV Lines
- Lens Focal Length: 2.2mm
- Viewing Angle: 126°(H), 69°(V), 144°(D)
- Camera View: Mirror & Normal
- Illumination Required: 0 LUX (IR LED's Integrated)
- Illumination Range: 9m x 5.5m
- Overall Dimensions: 86mm(W) x 78mm(D)
x 72mm(H)
- Length of Cable: 1000 ± 30mm
- Assembled Weight: 330 Grams

Technical Specifications Continued...

- Housing Material: Aluminium Alloy
- Finish: Black

Features:

- High definition picture quality with 1080p AHD 2.0 video signal output
- Night Vision via 4 x High Power Infrared LEDs enabled by integrated Day / Night sensor
- Integrated Microphone
- High Quality CMOS 1080P Chipset
- Back Light Compensation
- Automatic White Balance
- Fixed IRIS
- BE Type Male Connector

Package Contents:

- 1 x BE-810XC-C - Camera
- 1 x BE-89XC.BE-X0XC-BKT - Bracket
- 1 x BE-89XC/BE-X0XC-SS - Sun Shield
- 1 x BE-8/2XXC-FIX - Fixing Kit
- 1 x BE-810XC-IG - Installation Guide