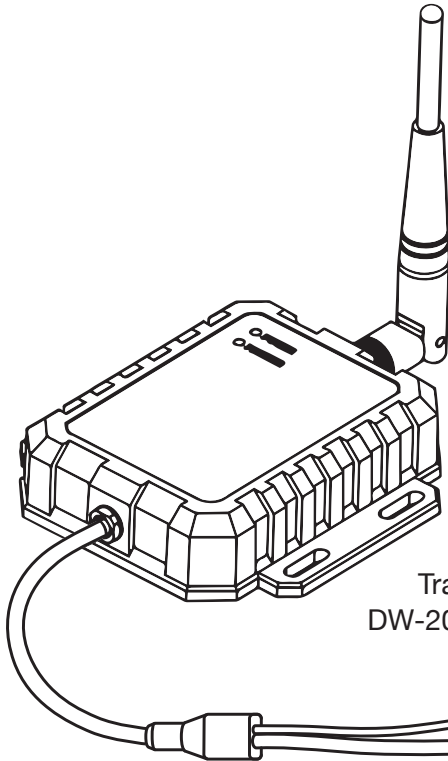


BRIGADE®

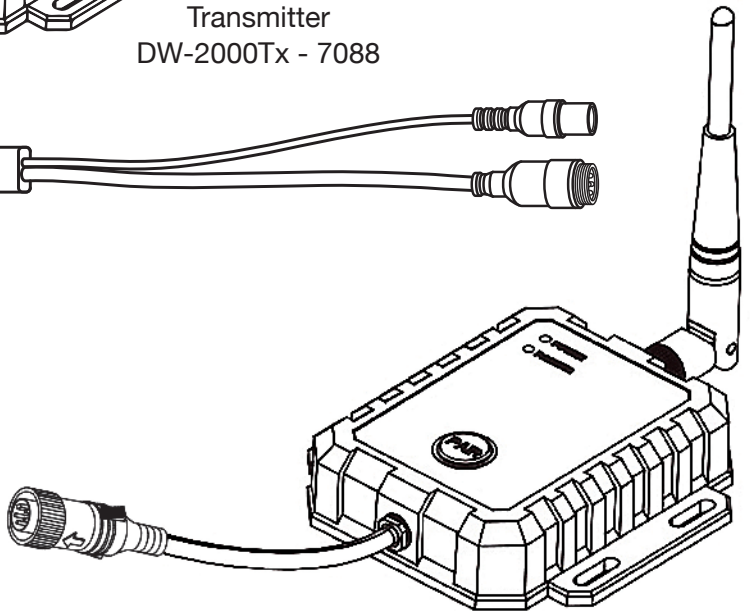
DW-2000Tx

DW-2000Rx

Installation guide



Transmitter
DW-2000Tx - 7088



Receiver
DW-2000Rx - 7089

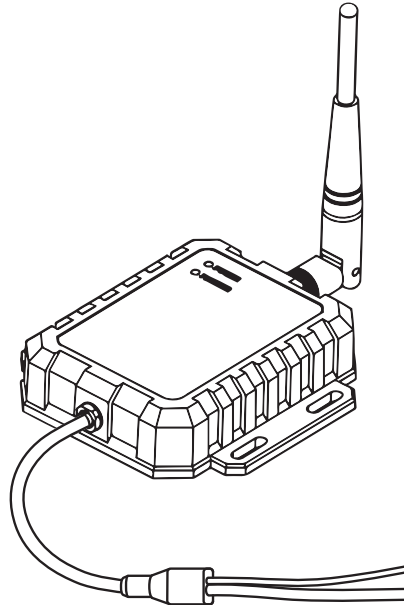
1 Kit Contents & Specifications

DW-2000Tx Transmitter Kit - 7088

Digital Wireless System - Transmitter Kit	DW-2000Tx	7088
Digital Wireless System - Transmitter Only	DW-2000Tx-M	7123
WiFi Antenna for DW-2000Tx & DW-2000Rx	DW-2000-WiFi	7092
Fixing Kit for DW-2000Tx & DW-2000Rx	DW-2000-Fix	7125
Digital Wireless Installation Guide	DW-2000-IG	7170
Power Cable for DW-2000Tx	DW-2000Tx-PC	7093

DW-2000Tx Transmitter - Specifications

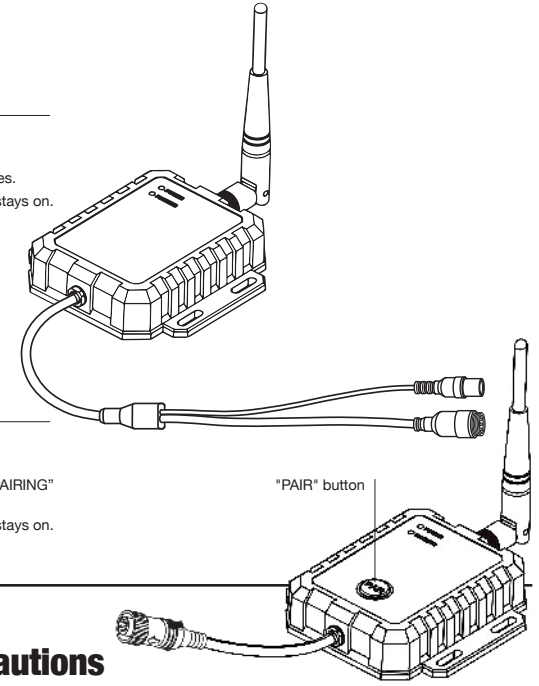
TV System (AV IN)	AHD720P/1080P/CVBS - AUTO
Power Supply	12-32Vdc
Power Out	12V out to Camera
Power Consumption	12W (at 12Vdc)
Current Consumption	1040mA
Operating Frequency	2400-2483.5MHz
RF Bit Rate	6 Mbps
Spread Spectrum	FHSS
Time Delay	200ms
Ingress Protection	IP69K
Operating Temperature	-20°C - +70°C
Storage Temperature	-30°C - +80°C
Weight	460g
Dimensions (W x H x D)	105mm x 106mm x 25.2mm (Excluding Antenna)



2 Product Features

DW-2000Tx - 7088 Transmitter LED Indications

Power	The "POWER" indicator turns red when power is on.
Pairing mode	"PAIRING" indicator turns blue and flashes.
Pairing success	The "PAIRING" indicator turns blue and stays on.



DW-2000Rx - 7089 Receiver LED Indications

Power	The "POWER" indicator turns red when power is on.
Pairing mode	Press "PAIR" button for 3 seconds, the "PAIRING" indicator turns blue and flashes.
Pairing success	The "PAIRING" indicator turns blue and stays on.

3 Storage & Operating Precautions

Storage and Keeping

1. Do not expose the device to excessive heat or cold. The storage temperature of this device is -30~+80°C, and the operating temperature is -20~+70°C. The humidity is Rh90%.
2. Avoid dropping or striking this device.
3. Avoid using this device in enclosed spaces, areas with excessive vibration or subjecting this device to severe impacts.
4. Do not place cables where they may be pinched or stepped on.
5. The device is designed to be water-resistant, but not for underwater application.

Operating Precautions

1. The device may be powered by a 12 or 24 volt automotive battery or vehicle electrical system.
2. Make sure all cables are connected properly. Observe polarity. Improper cable connections may damage the device.

Hereby, Brigade Electronics Group PLC declares that the radio equipment type DW-2000Tx & DW-2000Rx is in compliance with Directive 2014/53/EU and Regulation S.I.

2017/1206. The full text of the EU and UK declaration of conformity is available by scanning the QR code:



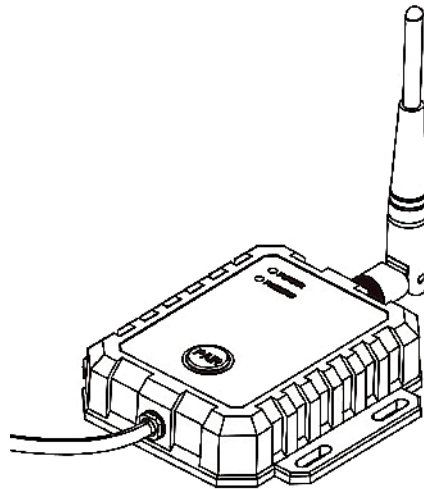
Scan for more information

DW-2000Rx Receiver Kit - 7089

Digital Wireless System - Receiver Kit	DW-2000Rx	7089
Digital Wireless System - Receiver Only	DW-2000Rx-M	7124
WiFi Antenna for DW-2000Tx & DW-2000Rx	DW-2000-WiFi	7092
Fixing Kit for DW-2000Tx & DW-2000Rx	DW-2000-Fix	7125
Digital Wireless Installation Guide	DW-2000-IG	7170

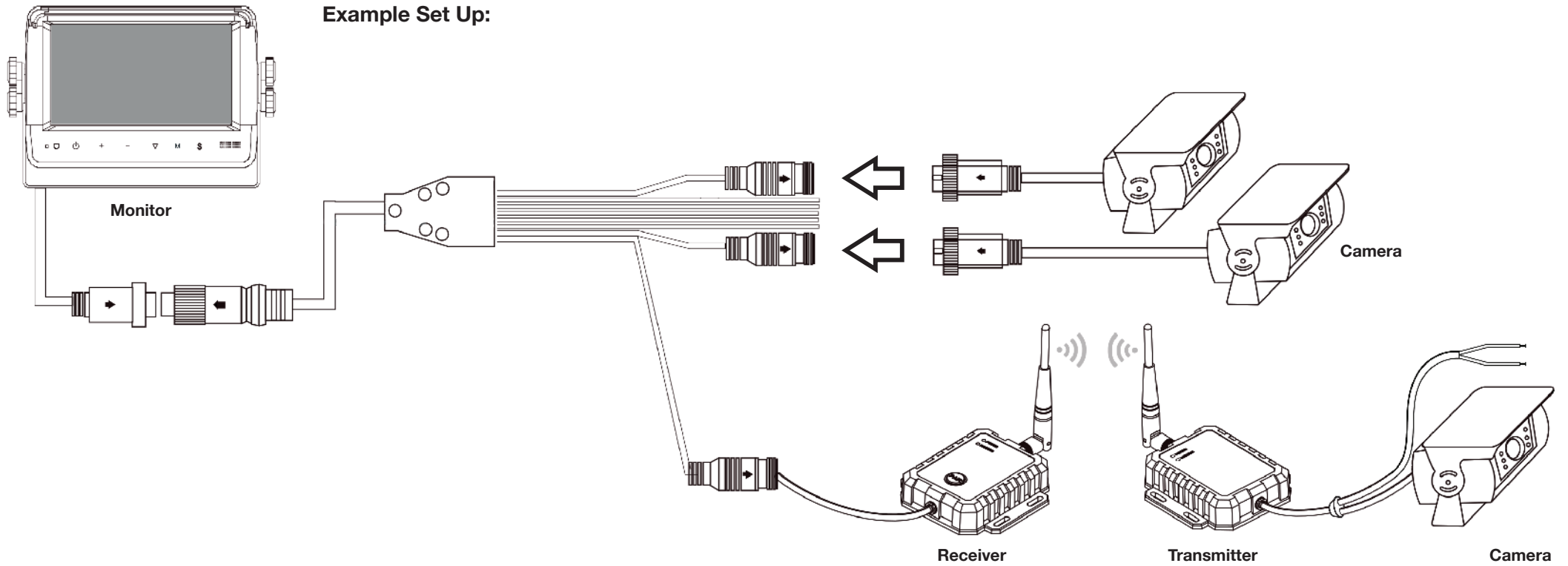
DW-2000Rx Receiver - Specifications

TV System (AV IN)	AHD/CVBS
Power Supply	12-24Vdc (From Monitor or DVR)
Power Consumption	1.5W (at 12Vdc)
Current Consumption	124mA
Operating Frequency	2400-2483.5MHz
RF Bit Rate	6 Mbps
Spread Spectrum	FHSS
Time Delay	200ms
Ingress Protection	IP69K
Operating Temperature	-20°C - +70°C
Storage Temperature	-30°C - +80°C
Weight	420g
Dimensions (W x H x D)	105mm x 106mm x 25.2mm (Excluding Antenna)

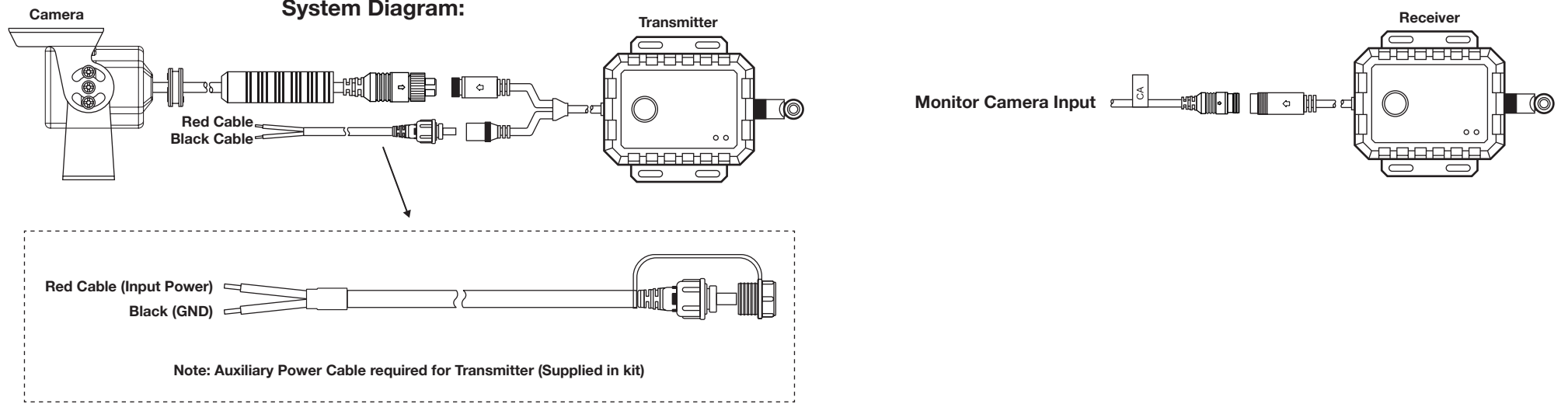


4 Operating Instructions

Example Set Up:



System Diagram:



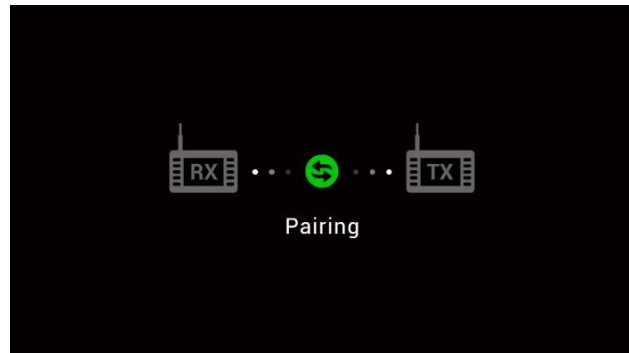
4 Operating Instructions - Continued

1. Connect the camera to the transmitter. Connect 12-32V DC to the transmitter. When the transmitter is powered, the red POWER LED will turn on.
2. Connect the receiver to the monitor via one of the video inputs. When the receiver is powered, the red POWER LED will turn on.
3. When the receiver or transmitter is powered on, it will always try to connect to the last paired device. It will attempt to do this for 8 seconds. If either cannot find a previously paired device, both will stay in pair mode for 20 seconds and look for another device. To pair, both devices need to be in pair mode.

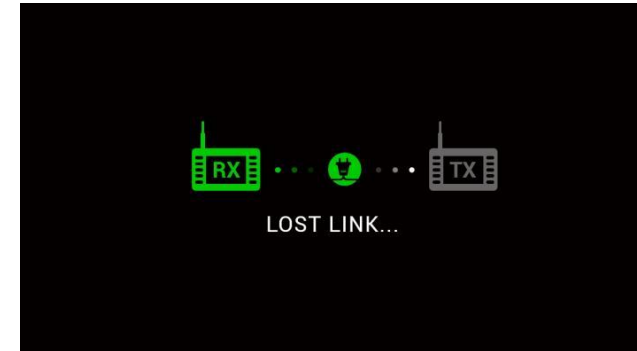
To reinstate pair mode on the transmitter, you must cycle the power. For the receiver, either cycle the power or press the PAIR button for 3 seconds.

4. When either device is in pair mode, the blue PAIRING LED flashes. The monitor should show the below. After 20 seconds of searching in pair mode, the blue PAIRING LED will go off.

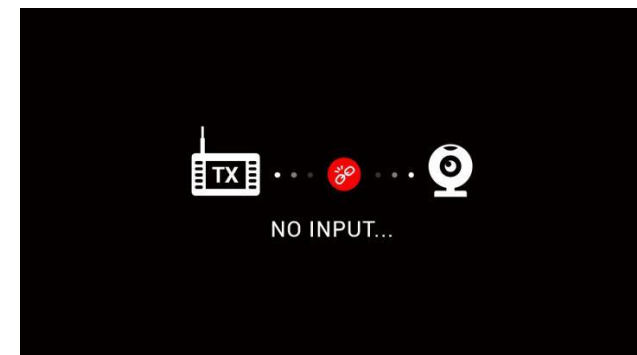
If pairing was successful then the blue PAIRING light will stay on.



5. If the receiver does not pair with the transmitter, or if the receiver cannot receive signal from the transmitter, the receiver will display the below, with LOST LINK on the monitor.



6. If the transmitter and receiver are paired, but no camera is connected/broken, the receiver will display the below on the monitor, with NO INPUT shown.



7. The video output from the receiver to the monitor will automatically match the format of the camera connected to the transmitter. For example, if a 1080P camera is connected to the transmitter, the receiver will output a AHD 1080P video signal to the monitor.
8. To mirror the image, double click the "PAIR" button on the receiver. This may also be changed via the monitor settings.



www.brigade-electronics.com

Disclaimer

Camera monitor systems are an invaluable driver aid but do not exempt the driver from taking every normal precaution when conducting a manoeuvre. No liability arising out of the use or failure of the product can in any way be attached to Brigade or to the distributor.

Dégénération

Les systèmes de moniteurs des caméras sont une aide précieuse pour le conducteur, mais celui-ci doit toutefois prendre toutes les précautions nécessaires pendant les manœuvres. Brigade ou ses distributeurs n'assument aucune responsabilité résultant de l'utilisation ou d'un défaut du produit.

Haftungsausschluss

Kamera-Monitor-Systeme sind für den Fahrer eine unschätzbare Hilfe, ersetzen aber beim Manövrieren keinesfalls die üblichen Vorsichtsmaßnahmen. Für Schäden aufgrund der Verwendung oder eines Defekts dieses Produkts übernehmen Brigade oder der Vertriebshändler keinerlei Haftung.

Condizioni di Utilizzo

I sistemi di telecamere e monitor costituiscono un prezioso ausilio alla guida, ma il conducente deve comunque assicurarsi di prendere tutte le normali precauzioni quando esegue una manovra. Né Brigade né il suo distributore saranno responsabili per eventuali danni di qualsiasi natura causati dall'utilizzo o dal mancato utilizzo del prodotto.

Specifications subject to change. Sous réserve de modifications techniques. Änderungen an den technischen Daten vorbehalten. Specifiche soggette a variazioni. Las especificaciones están sujetas a cambios. Wijzigingen in specificaties voorbehouden. As especificações estão sujeitas a alterações. Спецификация может изменяться.

Aviso legal

Aunque los sistemas de cámaras con pantalla constituyen una valiosa ayuda, no eximen al conductor de tomar todas las precauciones normales al hacer una maniobra. Brigade y sus distribuidores comerciales no se responsabilizan de cualquier daño derivado del uso o de un mal funcionamiento del producto.

Declinación de responsabilidad

Os sistemas de monitoria da câmara são uma ajuda incalculável ao motorista, mas não dispensam o motorista de tomar todas as precauções normais ao realizar uma manobra. Nenhuma responsabilidade decorrente do uso ou falha do produto pode de forma alguma ser atribuída ao Brigade ou ao distribuidor.

Verwerping

De camera-monitorsystemen zijn een waardevolle hulp voor de bestuurder, maar ontheffen hem echter niet van de verplichting om het voertuig zorgvuldig te manoeuvreren. Brigade en zijn distributeurs zijn niet aansprakelijk voor schade door gebruik of het niet functioneren van het product.

Отказ от обязательств

Системы камерного слежения являются крайне полезным средством помощи водителю, но не освобождают водителя от обязанности соблюдения всех необходимых мер предосторожности при совершении маневра. На компанию Brigade или распространителя продукции не налагается никакая ответственность, возникающая по причине использования или неисправности данного продукта.

Serial No:

Part No: