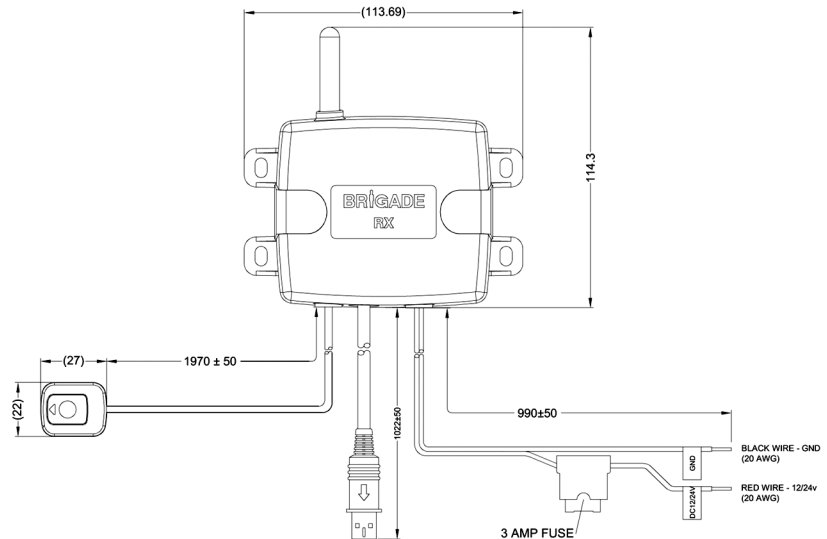
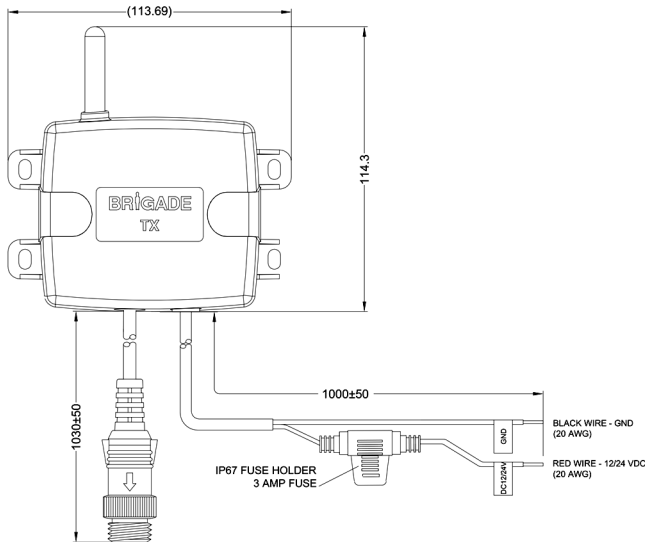


Product Specification

Brigade Model Number:	DW-1000TX	DW-1000RX
Brigade Part Number:	4043	4044



Dimensions: mm

Product Specification

Environmental Specifications:

- Shock Rating: 51 g (all 3 axis - 6 directions)
- Vibration Rating: 8.5 g (3 axis each 32hr random)
- TX Module IP Rating: IP69K
- RX Module IP Rating: N/A
- Operating Temperature: -40° to +70°C
- Storage Temperature: -40° to +85°C

Approved Standards:

- CE
- 'E' Mark - (UNECE Regulation 10 Rev 04)
- RoHS
- WEEE

Technical Specifications:

- Operating Voltage: 12~24 Vdc
- TX Current Consumption: ≤ 850mA @12 Vdc
- RX Current Consumption: ≤ 170mA @12 Vdc
- TX Power Consumption: ≤9.84 Watts @ 12Vdc
- RX Power Consumption: ≤2.16 Watts @ 12Vdc
- RF Transmission Frequency: 2.4GHz
- RF Transmission Power: ≤18dBm
- TV System: CVBS (PAL or NTSC)
- Max Resolution: D1 704 x 480
- Image Latency: ≤200ms
- Number of Video Inputs: 1 Camera
- Shutter Function on Channels: None
- Tilt Function on Channels: None
- Video Input: 1.0 Vp-p / 75Ω
- TX audio input: 1V p-p 1KHz Tone
- RX audio output: 3V p-p 1KHz Tone

Technical Specifications Continued...

- Cable Thickness:
 - Power Cables: 20 AWG
 - Camera Cables: 24AWG
 - Pairing switch cable: 28AWG
- Length of Cable:
 - Camera Cables: 1000mm
 - Power Cables: 1000mm
- Overall Dimensions:
 - 113mm (W) x 31mm (D) x 114mm (H)
- TX Weight: Approx. 260 Grams
- RX Weight: Approx. 255 Grams
- Casing Material: ABS/PC
- Colour: Black

Features:

- On screen signal strength indicator
- System status LED
- Digital signal transmission
- 2³² possible pairing codes
- Auto switching PAL/NTSC
- Elite/Extreme camera connectors

TX Package Contents:

- 1x Transmitter Module
- 1x Instruction Guide

RX Package Contents:

- 1x Receiver Module
- 1x Instruction Guide
- 1x Alcohol Preparation Pad (cleaner)

