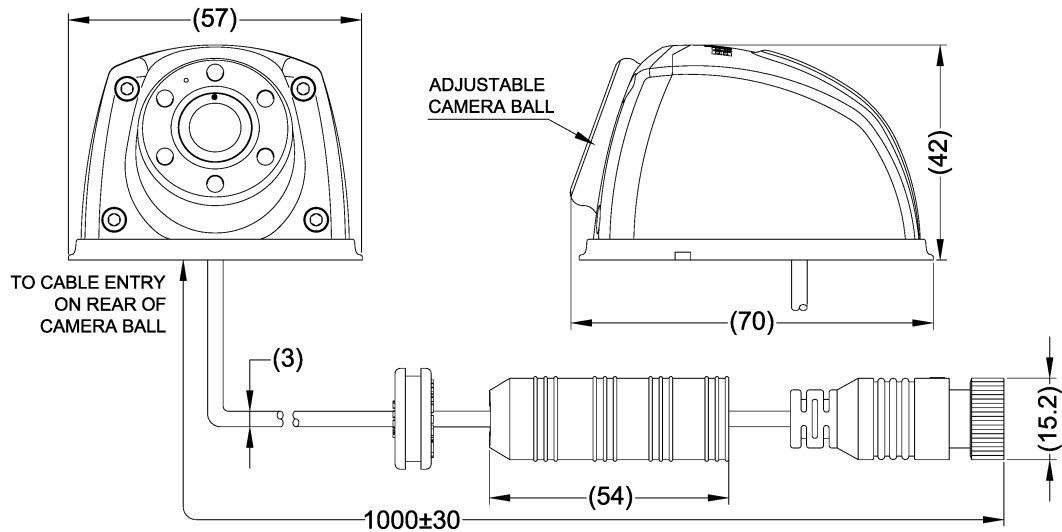


Product Specification



Brigade Model Number:
Brigade Part Number:

VBV-300C 5211	VBV-301C 5213	VBV-320C 5215	VBV-321C 5217
-------------------------	-------------------------	-------------------------	-------------------------



Dimensions: mm

Product Specification

Environmental Specifications:

- Shock Rating: 51 G (All 3 Axis - 6 directions)
- Vibration Rating: 8.5 G (All 3 Axis - 32hrs each)
- Camera IP Rating: IP69K
- Connector IP Rating: IP67
- Operating Temperature: -30° to +70°C
- Storage Temperature: -40° to +85°C

Approved Standards:

- CE - (EN 61000-6-3:2007 + A1:2011 + AC:2012
EN 61000-6-2:2005 + AC:2005)
- FCC - (47 CFR Part 15 Subpart B)
- 'E' Mark - (ECE Regulation 10 Rev 05) - For all
(ECE Regulation 46 Rev. 06 with VBV-770M/
VBV-770DM/ VBV-7104FM/ BE-870LM) - For
VBV-300C/320C only
- Ingress Protection - (ISO 20653:2006)
- Elements of ISO 16750:2012
- RoHS2
- WEEE
- VBV-301C / VBV-321C: IC - (ICES 003 Issue 6)

Technical Specifications:

- Operating Voltage: 12 Vdc ± 2Vdc
- Current Consumption: ≤165mA @ 14 Vdc
- Power Consumption: ≤2.3 Watts
- Imaging Devices: CCD - 1/3" Sharp
DSP - Seinmedia
- TV System:
VBV-300C / VBV-320C: PAL
VBV-301C / VBV-321C: NTSC
- Picture Elements:
VBV-300C / VBV-320C: 976(H) x 582(V)
VBV-301C / VBV-321C: 976(H) x 494(V)
- Visual Resolution:
VBV-300C / VBV-320C: 780 TV Lines
VBV-301C / VBV-321C: 600 TV Lines
- Lens Focal Length: 1.7mm

Technical Specifications Continued...

- Viewing Angle: 110° (H), 81° (V), 152° (D) ± 5%
- Assembled Weight: 150 Grams
- Video Output: Approx. 1.1 Vp-p / 75Ω
- Length of Cable: 1000 ± 30mm
- Overall Dimensions:
57mm (W) x 70mm (D) x 42mm (H)
- Housing Material: Aluminium Alloy
- Camera View:
VBV-300C / VBV-301C: Fixed - Mirror
VBV-320C / VBV-321C: Fixed - Normal
- Finish: Black
- Ball adjustment: Up 26°; Down 4°;
Left / Right 4°
- Ball rotation: ±180°

Features:

- Fully adjustable ball position
- Night Vision via 5 x High Power Infrared LEDs enabled by integrated Day / Night sensor
- Integrated Microphone
- High Quality Sharp CCD & Seinmedia DSP
- Back Light Compensation
- Automatic White Balance
- Fixed IRIS
- VBV Type Female Connector

Package Contents:

- 1 x VBV-30XC/32XC-C - Camera
- 1 x VBV-3XXC-RH - Rear Housing
- 1 x VBV-3XXC-FH - Front Housing
- 1 x VBV-3XXC-RM - Rubber Mat
- 1 x VBV-3XXC-FIX - Fixing Pack
- 1 x VBV-3X0C/3X1C-IG - Installation Guide

